

- > Alternative materials allows a wide range of application
- > Switch with plug



Technical features

Operation:

TQM/31, QM/32 normally open with LED (yellow)

Switching voltage (Ub):

10 ... 240 V a.c./d.c.

Switching voltage output:

Ub - 2 V (QM/32)

Switching current (see graph overleaf):

1 A max. (QM/32)

Switching power:

50 W/50 VA max.

Contact resistance:

100 mΩ

Response time:

3 ms

Operating temperature:

-20 ... +80°C (-4 ... +176°F)

High temperature version:

+150°C max. (TQM/31) (+302°F)

Protection rating (EN 60529):

IP 66

Shock resistance:

50 g (during 11 ms)

Vibration resistance:

35 g (50 to 2000 Hz)

Cable type:

PVC 2 x 0,75, PUR 2 x 0,75

VMQ 2 x 0,75 (TQM/31)

Cable length:

2, 5 or 10 m

Electromagnetic compatibility according to:

EN 60947-5-2

Materials:

Body: plastic

Cable: see table below

Technical data

Symbol	Voltage		Current max. (A)	Function	Operating temperature (°C)	LED	Protection class	Features	Cable length (m)	Cable type	Weight (g)	Model
	(V a.c.)	(V d.c.)										
	10 ... 240	10 ... 240	1	Closer	-20 ... +80	•	IP66	—	2, 5 or 10	PVC 2 x 0,75	108 (2 m)	QM/32/*
	10 ... 240	10 ... 240	1	Closer	-20 ... +80	•	IP66	—	2	PUR 2 x 0,75	108	QM/32/2/PU
	10 ... 240	10 ... 240	2	Closer	-20 ... +150	—	IP66	High temperature	2, 5 or 10	Silicon 2 x 0,75	102 (2 m)	TQM/31/*
	10 ... 240	10 ... 240	1	Closer	-20 ... +80	•	IP66	Plug M12 x 1	—	—	15	QM/32/P *1)

* Insert cable length

*1) Plug-in connector see page 2

Color code: BK = black, BN = brown, BU = blue

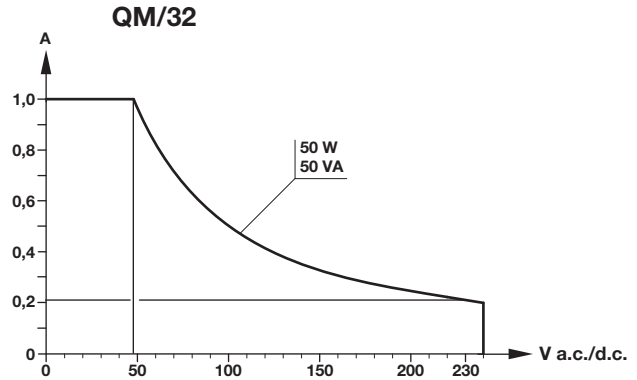
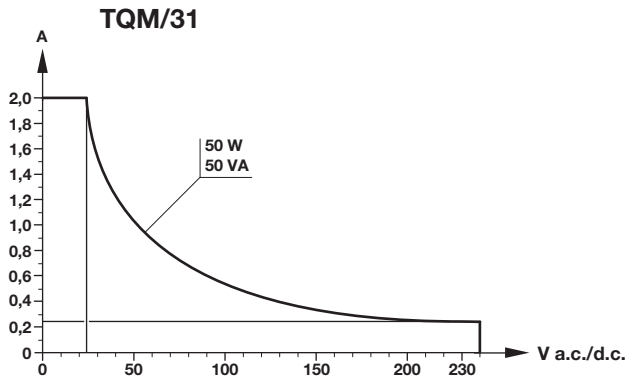
Options selector

★QM/3★/★/★/★

Variants	Substitute
High temperature (+150°C), for TQM/31/* only	T
Type	Substitute
Reed with LED	2
Reed without LED, for TQM/31/* only	1

Cable	Substitute
PVC	Without
PUR	PU
Cable length/plug	Substitute
2 m	2
5 m	5
10 m	10
With plug	Substitute
M12 x 1	P

Switching current and switching voltage



Mounting elements for magnetic switches

Cylinder with external tie rods
RA/8000/M, RA/28000/M

Cylinder with external tie rods
RM/900/M



Mounting elements

Mounting elements



Cylinder Ø (mm)	Model	Cylinder Ø (inch)	Model
32 ... 63	QM/31/032/22	1 1/4"	QM/31/032/22
80 ... 125	QM/31/080/22	1 3/4" + 2"	QM/31/080/22
160 + 200	QM/31/160/22	2 1/2" ... 4"	QM/31/2/22
250	QM/31/250/22		
320	QM/31/320/22		

Dimensions see relevant cylinder sheets.

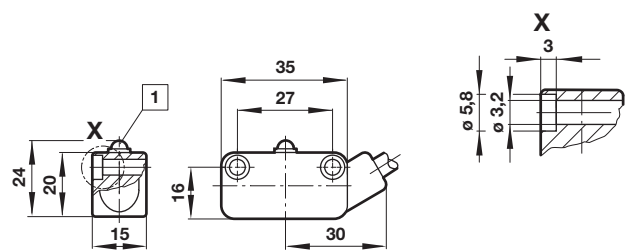
Accessories

Plug-in connector cable with nut



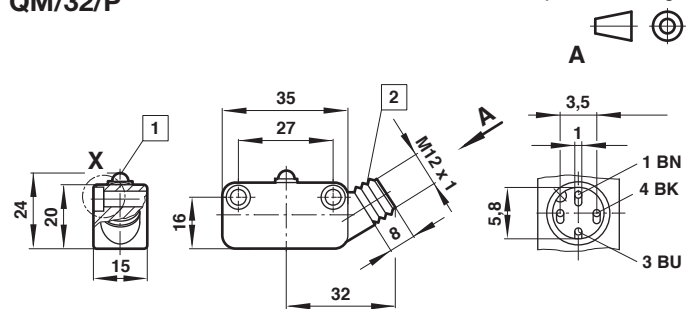
Outer cover	Cable length	Weight (kg)	Connector	Model
PVC 3 x 0,34	5 m	0,182	M12 x 1	MP34692/5
PUR 3 x 0,34	5 m	0,182	M12 x 1	MP34594/5

Dimensions
TQM/31, QM/32



QM/32/P

Dimensions in mm
Projection/First angle



- 1 LED (yellow)
 - 2 Plug M12 x 1
- Color code: BK = black, BN = brown, BU = blue

Warning

These products are intended for use in industrial systems only. Do not use these products where values can exceed those listed under »**Technical features/data**«.

Before using these products with non-industrial applications, life-support systems, or other applications not within published specifications, consult NORGREN.

Through misuse, age, or malfunction, components used in fluid power systems can fail in various modes.

The system designer is warned to consider the failure modes of all component parts used in control systems and to provide adequate safeguards to prevent personal injury or damage to equipment in the event of such failure.

System designers must provide a warning to end users in the system instructional manual if protection against a failure mode cannot be adequately provided.

System designers and end users are cautioned to review specific warnings found in instruction sheets packed and shipped with these products.